

NEW
PRODUCT



Mistrésa

Models that can be combined freely to suit
your working environment

CRM Type Oil Mist Collector Selection Catalog

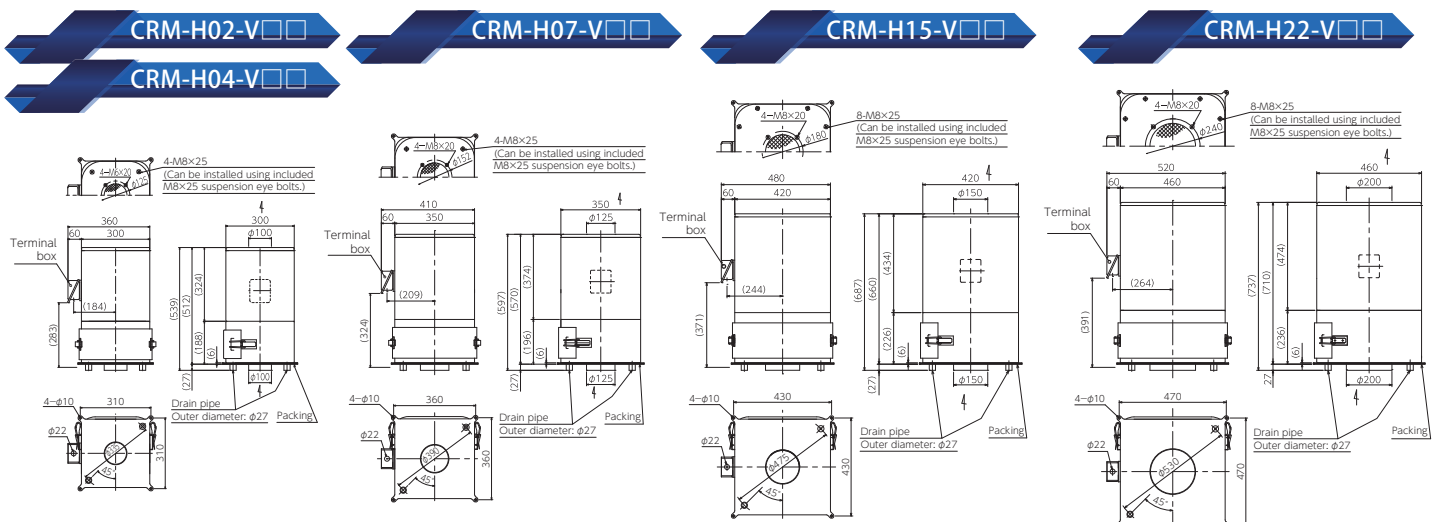


Vertically installed models



| Model CRM-H□□-V□□ | Output (kW) | Power Supply | Frequency (Hz) Current (A) | 50 Hz | | 60 Hz | | Collection efficiency (%) | Max. intake temperature (°C) | Noise (dB(A)) 50/60Hz | Approx. weight (kg) | |
|----------------------|----------------|--|-------------------------------|---|-------------------------------------|---|-------------------------------------|---------------------------------|---------------------------------------|-----------------------------|---------------------------|------|
| | | | | Max. volume (m ³ /min) | Max. static pressure (kPa) | Max. volume (m ³ /min) | Max. static pressure (kPa) | | | | | |
| CRM-H02 | 0.2 | Three Phase 50 Hz 200 V 60 Hz 200 V/220 V | 50/60/60 1.6/1.3/1.3 | 3.7 | 0.55 | 4.4 | 0.75 | 98.7 | 50 | 63/66 | 27 | |
| | | | | V12 | | 4.5 | | 5.3 | | | | 99.2 |
| | | | | V13 | | 3.9 | | 4.6 | | | | 99.7 |
| | | | | V21 | | 3.4 | | 4.0 | | | | 98.8 |
| | | | | V22 | | 4.1 | | 4.8 | | | | 99.4 |
| | | | | V23 | | 3.5 | | 4.2 | | | | 99.7 |
| CRM-H04 | 0.4 | Three Phase 50 Hz 200 V 60 Hz 200 V/220 V | 50/60/60 2.0/2.0/2.0 | 4.0 | 0.70 | 4.7 | 1.00 | 98.7 | 50 | 71/75 | 34 | |
| | | | | V12 | | 5.0 | | 5.9 | | | | 99.2 |
| | | | | V13 | | 4.4 | | 5.2 | | | | 99.7 |
| | | | | V21 | | 3.8 | | 4.4 | | | | 98.8 |
| | | | | V22 | | 4.6 | | 5.5 | | | | 99.4 |
| | | | | V23 | | 4.1 | | 4.9 | | | | 99.7 |
| CRM-H07 | 0.75 | Three Phase 50 Hz 200 V 60 Hz 200 V/220 V | 50/60/60 3.0/3.3/3.3 | 7.4 | 1.00 | 8.6 | 1.45 | 98.7 | 50 | 77/81 | 43 | |
| | | | | V12 | | 9.0 | | 10.5 | | | | 99.2 |
| | | | | V13 | | 7.6 | | 9.0 | | | | 99.7 |
| | | | | V21 | | 6.8 | | 8.2 | | | | 98.8 |
| | | | | V22 | | 8.4 | | 10 | | | | 99.4 |
| | | | | V23 | | 7.0 | | 8.4 | | | | 99.7 |
| CRM-H15 | 1.5 | Three Phase 50 Hz 200 V 60 Hz 200 V/220 V | 50/60/60 6.9/7.0/7.0 | 14 | 1.50 | 17 | 2.15 | 98.7 | 50 | 78/83 | 69 | |
| | | | | V12 | | 16 | | 19 | | | | 99.2 |
| | | | | V13 | | 14 | | 17 | | | | 99.7 |
| | | | | V21 | | 13.5 | | 15.5 | | | | 98.8 |
| | | | | V22 | | 15 | | 18 | | | | 99.4 |
| | | | | V23 | | 13.5 | | 15.5 | | | | 99.7 |
| CRM-H22 | 2.2 | Three Phase 50 Hz 200 V 60 Hz 200 V/220 V | 50/60/60 10.2/10.4/10.4 | 19.5 | 1.60 | 22.5 | 2.30 | 98.7 | 50 | 81/85 | 78 | |
| | | | | V12 | | 22 | | 26 | | | | 99.2 |
| | | | | V13 | | 19 | | 22.5 | | | | 99.7 |
| | | | | V21 | | 18 | | 21 | | | | 98.8 |
| | | | | V22 | | 21 | | 24.5 | | | | 99.4 |
| | | | | V23 | | 17.5 | | 21 | | | | 99.7 |

Dimensional drawings



Options

For horizontally installed models

Intake side

Chip separator with clog indicator

- Duct companion flange (standard accessory)
- Fireproof damper
- Round hood
- Rectangular hood
- Y-shaped joint (45°)
- Duct hose
- Duct cuff
- Hose band
- Elbow joint
- ø15 drain tube unit
*Connection joint + 2.5 m hose x 2
(Used on inlet and outlet side)

Outlet side

- High-performance after filter
- General-purpose after filter
- Adapter
- Horizontal installation adapter
- Inner filter
- After filter element

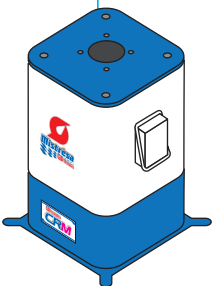
Floor stand and switch

- Vibration-damping pad (standard accessory)
- Floor stand
- Switch installation plate
- Switch
- Casters

For vertically installed models

Outlet side

- High-performance after filter
- General-purpose after filter
- Adapter
- Inner filter
- After filter element



Inlet side

- Chip separator
- Intake adapter

New/old model compatibility chart

Filterless (suitable for use with water-soluble mist)

| Output | Old model From December 2005 | Output | Old model from April 2013 (Discontinued March 2017) | New model (Began shipping January 2017) |
|--------|---------------------------------|--------|---|--|
| 0.2kW | | 0.2kW | | NEW CRM-H02-S11 |
| 0.4kW | CRX-04 | 0.4kW | CRN-H04B | CRM-H04-S11 |
| 0.75kW | CRX-07 | 0.75kW | CRN-H07B | CRM-H07-S11 |
| 1.5kW | CRX-15 | 1.5kW | CRN-H15B | CRM-H15-S11 |
| 2.2kW | CRX-22 | 2.2kW | | NEW CRM-H22-S11 |

Filtered (suitable for use with water-soluble mist)

| Output | Old model From December 2005 | Output | Old model from February 2015 (Discontinued March 2017) | New model (Began shipping January 2017) |
|--------|---------------------------------|--------|--|--|
| 0.2kW | | 0.2kW | | NEW CRM-H02-S22 |
| 0.4kW | CRD-400R | 0.4kW | CRD-H04 | CRM-H04-S22 |
| 0.75kW | CRD-750R | 0.75kW | CRD-H07 | CRM-H07-S22 |
| 1.5kW | CRD-1500R | 1.5kW | CRD-H15 | CRM-H15-S22 |
| 2.2kW | CRD-2200R | 2.2kW | CRD-H22 | CRM-H22-S22 |

Filtered (suitable for use with soot)

| Output | Old model From February 2004 | Output | Old model from February 2015 (Discontinued March 2017) | New model (Began shipping January 2017) |
|--------|---------------------------------|--------|--|--|
| 0.2kW | | 0.2kW | | NEW CRM-H02-S23 + after filter |
| 0.4kW | CRD-400R + after filter | 0.4kW | CRD-H04-80 + after filter | CRM-H04-S23 + after filter |
| 0.75kW | CRD-750R + after filter | 0.75kW | CRD-H07-80 + after filter | CRM-H07-S23 + after filter |
| 1.5kW | CRD-1500R + after filter | 1.5kW | CRD-H15-80 + after filter | CRM-H15-S23 + after filter |
| 2.2kW | CRD-2200R + after filter | 2.2kW | CRD-H22-80 + after filter | CRM-H22-S23 + after filter |

*An adapter is required in order to install the after filter.

Filtered (not explosion-proof) (suitable for use with high-temperature mist)

| Output | Old model From April 2009 | Output | Old model from May 2015 (Discontinued March 2017) | New model (Began shipping January 2017) |
|--------|------------------------------|--------|---|--|
| 0.4kW | CRH-04T | 0.4kW | CRH-H04 | CRMH-H04-S23 |
| 0.75kW | CRH-07T | 0.75kW | CRH-H07 | CRMH-H07-S23 |
| 1.5kW | CRH-15T | 1.5kW | CRH-H15 | CRMH-H15-S23 |
| 2.2kW | CRH-22T | 2.2kW | CRH-H22 | CRMH-H22-S23 |

*Installation dimensions for major parts are unchanged (except CRN-H15B). Mist collector dimensions have changed. New models use a multi-select type collection mechanism, allowing combinations other than those listed above.

Other related equipment



Explosion-proof specifications

| Item | Model | CRH-100E | CRH-200E | CRH-04E | CRH-07E | CRH-15E |
|----------------------------|---------------------|--|--|-------------|-------------|-------------|
| Power supply | | Three phase 50Hz 200V 60Hz 200V/220V | | | | |
| Output | kW | 0.2 | 0.2 | 0.4 | 0.75 | 1.5 |
| Motor specifications | | Increased safety/explosion-proof | | | | |
| Frequency | Hz | 50/60/60 | 50/60/60 | 50/60/60 | 50/60/60 | 50/60/60 |
| Current | A | 1.2/1.1/1.0 | 1.2/1.1/1.0 | 2.0/1.8/1.7 | 3.3/3.1/2.8 | 6.2/5.8/5.4 |
| Max. volume | m ³ /min | 2.1/2.4 | 2.7/3.2 | 4.8/5.7 | 7.6/9.2 | 13.6/16 |
| Max. static pressure | kPa | 0.30/0.42 | 0.50/0.73 | 0.82/1.18 | 1.05/1.48 | 1.47/2.08 |
| Noise (1 m from equipment) | dB(A) | 56/60 | 59/63 | 58/64 | 63/66 | 68/72 |
| Collection efficiency | % | 99.4 (gravimetric method, oil mist) | | | | |
| Max. intake temperature | °C | 80 | | | | |
| Weight | kg | 13 | 20 | 26 | 37 | 57 |
| Suction intake diameter | mm | ∅98 | ∅98 | ∅98 | ∅123 | ∅148 |
| Ambient temperature | °C | MAX.40 | | | | |
| Paint color | | Equipment: N-8 (white); side covers and other parts: 2.5PB 3.5/10 (blue); stand: N-1 (black) | | | | |
| Types of mist | | Water-soluble/oil mist | | | | |
| Standard accessories | | Primary filter (replacement) × 1 Drain tube (2.5 m) × 2 Hose band (for drain tube) × 2 | Vibration-damping pad × 4 Installation hole template × 1 Set of duct companion flange, packing, installation bolts × 1 | | | |

*Noise has been measured using the blower test method described in JIS B8330. Actual noise varies with operating environment and operating conditions.

Ductwork

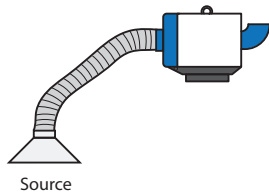
1. Duct hose material

It is recommended to use oil-resistant duct hose since the type of mist sucked through the hose will affect the hose's service life.

2. Intake ductwork

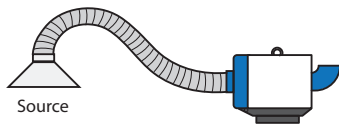
- (1) Use flexible ducting (optional product), which facilitates easy maintenance while helping to reduce vibration.
- (2) Be sure to allow for a little extra length in ducting, without making it so long that it sags.
- (3) Use the included duct companion flange to make it easier to connect ducting to other equipment.

Good



Source

Good



Source

Bad



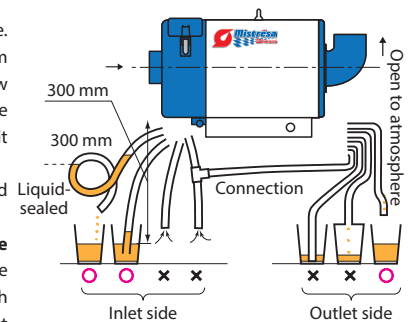
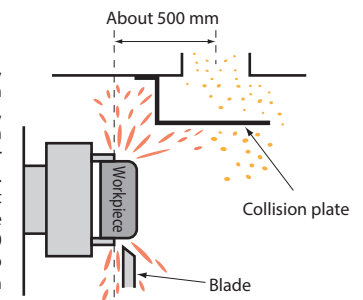
Source

Sagging (causing material to collect)

3. Drain tube ductwork

- (1) Be sure to create a **liquid seal** on the intake side. (Failure to do so will allow air to be sucked in from the end of the drain tube, causing the drain to flow backwards so that liquid is expelled into the airstream and carried to the next filter so that it clogs more quickly.)
- (2) Do not connect the drain tubes on the intake and outlet sides.
- (3) Be sure to leave the outlet side **open to the atmosphere**. (A drain that is not open to the atmosphere will be characterized by poor flow, with the result that liquid may back up inside the mist collector.)
- (4) Seal off any drain pipes that are not connected to drain tubes, for example with a plug.

- (4) If the intake inlet is located close to the source of the mist, the mist collector will suck in large volumes of mist, cuttings, and dust, which may result in incomplete mist removal or filter and demister clogging. Either leave a suitable amount of space between the source and intake inlet (about 500 mm) or add a collision plate to prevent incomplete ejection and clogging due to cuttings or dust.



Memberships

The Japan Electrical Manufacturers' Association (JEMA)
Japan Machine Accessory Association (JMAA)
Japan External Trade Organization (JETRO)

Distributor

SHOWA DENKI CO., LTD.

Overseas Sales Dept.

1-25 Shinden Kita-machi, Daito-city, Osaka, Japan 574-0052

Tel: +81-72-871-1511 Fax: +81-72-870-7243

E-mail: web-info@showadenki.co.jp

<http://www.showadenki.info>

showadenki

Search