

# Static Electricity Filter

**Point 1**

**High efficiency collection!**

**Point 2**

**Suitable for collecting oily smoke!**

**Point 3**

**Handles fine particles!**

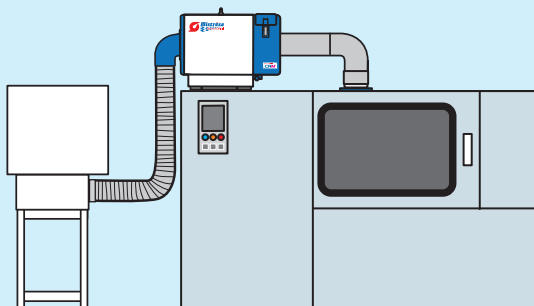


## Features

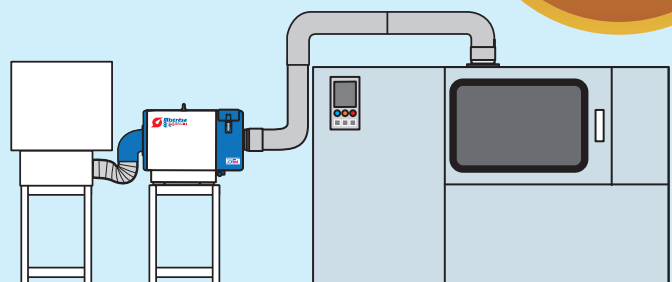
- Attaching to a filterless CRM model (S12, V12 collection efficiency: 99.2%) increases efficiency to 99.9% and above. (Compatible with other models).
- Because collection is done with static electricity, there is no clogging or decreasing air volume.
- If the electrode is dirty, it can be washed or replaced. Customers can also clean it themselves.
- Meets international CE standards.

## Installation Image

Retrofit attachment after Mistresa installation



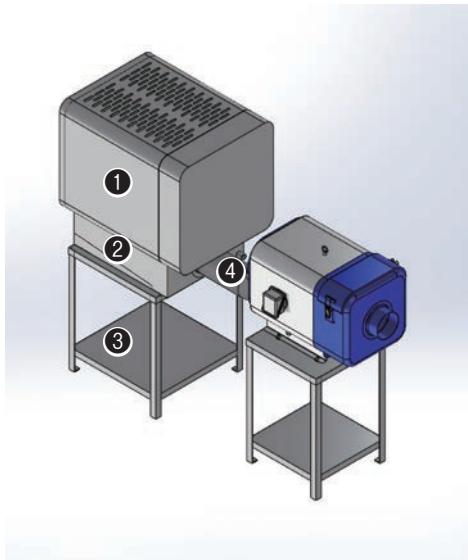
Attaching side by side



Suitable for catching oil mist from a Mistrésa

# Structure

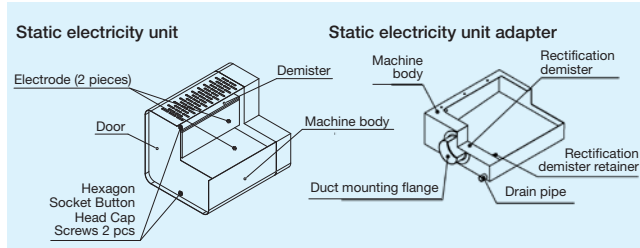
A tower model is also available.



## Components

- ① Static electricity unit
- ② Static electricity unit adapter
- ③ Floor stand
- ④ Duct hose

Assembly of parts ① and ② can be customized.



# Standard specifications

Static electricity unit + Static electricity unit adapter	Model *1	3SUK-100-200S (J) 3SUK-100-380T (J)	3SUK-125-200S (J) 3SUK-125-380T (J)	3SUK-150-200S (J) 3SUK-150-380T (J)	3SUK-200-200S (J) 3SUK-200-380T (J)	
	Dimensions	mm	420x665xh717	535x688.5xh747	535x688.5xh877	
	Weight	kg	52	61	69	
Static electricity unit *4	Model *1	3SU-100-200S (J) 3SU-100-380T (J)	3SU-125-200S (J) 3SU-125-380T (J)	3SU-150-200S (J) 3SU-150-380T (J)		
	Power supply	200S: Single phase 50/60Hz 200V 380T: Three phase 50/60Hz 380V				
	Power consumption	W	200			
	Collection efficiency	%	99.9% when connected to CRM-S12, V12 (99.2%) models *2			
	Ambient temperature	°C	0~50			
	Max intake air temperature	°C	60			
	Dimensions	mm	420x665xh567	535x688.5xh567	535x688.5xh607	
	Weight	kg	45	51	55	
Handling mist	Oil type *3					
Static electricity unit adapter	Model	3SU-100A	3SU-125A	3SU-150A	3SU-200A	
	Dimensions	mm	330x534xh150	435x560xh180	435x564xh270	435x570xh270
	Weight	kg	7	10	14	14
	Suction port diameter	mm	φ100	φ125	φ150	φ200
	Standard accessories	Drain tube 2.5m 1 tube Hose band (used with drain tube) 1 band Mounting bolts (for the Static electricity unit and Floor base) 1 type				
Floor stand	3BD-3					
Duct hose	3DHT-100      3DHT-125      3DHT-150      3DHT-200					
Compatible models (CRM)	CRM-H02      CRM-H04      CRM-H07      CRM-H15      CRM-H22					

\*1 Overseas specifications. For domestic Japanese specifications (manual, Japanese nameplate), J is attached at the end of the model name.

\*2 The filterless S12, V12 models are recommended for connections.

\*3 Water-soluble mist collection is possible when water mist is collected completely by the Mistrésa.

\*4 It is also possible to purchase only the electrostatic unit.

## SHOWA DENKI CO., LTD.

### Overseas Sales Dept.

1-25 Shinden Kita-machi, Daito-city, Osaka, Japan 574-0052  
Tel: +81-72-871-1511 Fax: +81-72-870-7243  
E-mail: web-info@showadenki.co.jp

## SHOWA DENKI (KOREA) CO., LTD.

A-710 Cheonan Mirae Ace High Tech City, 10, Baekseokgongdan  
1-ro, Seobuk-gu, Cheonan-si, Chungcheongnam-do, Korea  
TEL: +82-41-906-5710 FAX: +82-41-906-5720  
E-mail: skr@showadenki.co.jp

## SHOWA DENKI (THAILAND) CO., LTD.

No1/46 Soi2 Grand De Ville, Soi Supamong 1 (Soi Srinakarin 42),  
Srinakarin Road Nongbon, Pravat Bangkok, Thailand 10250  
Tel: +66-2-330-8798 Fax: +66-2-330-8799  
E-mail: wannapha@showadenki.co.jp  
(Japanese, Thai, English)

## SHOWA DENKI (TAIWAN) CO., LTD.

No.82, Liaoyang 4th Street, Beitun Dist., Taichung City, Taiwan  
TEL: +886-4-2241-3005 FAX: +886-4-2241-3006  
E-mail: stw@showadenki.co.jp